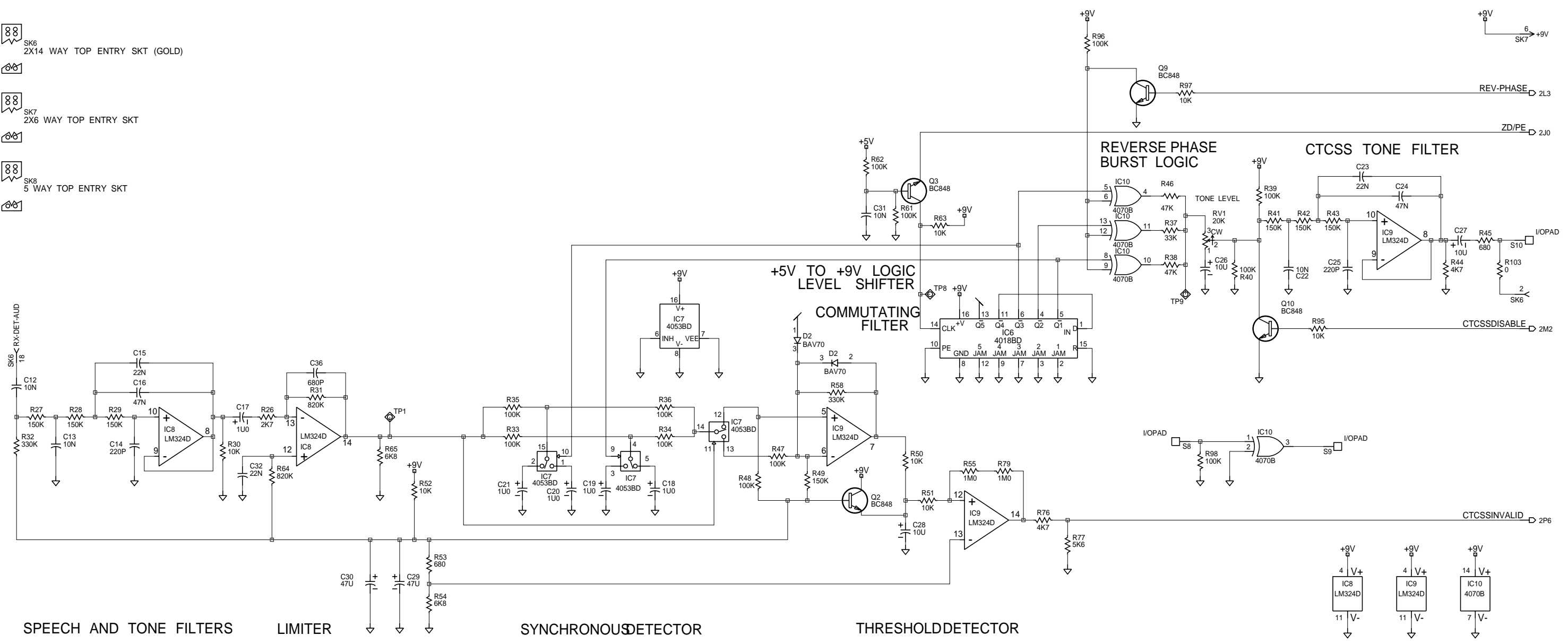


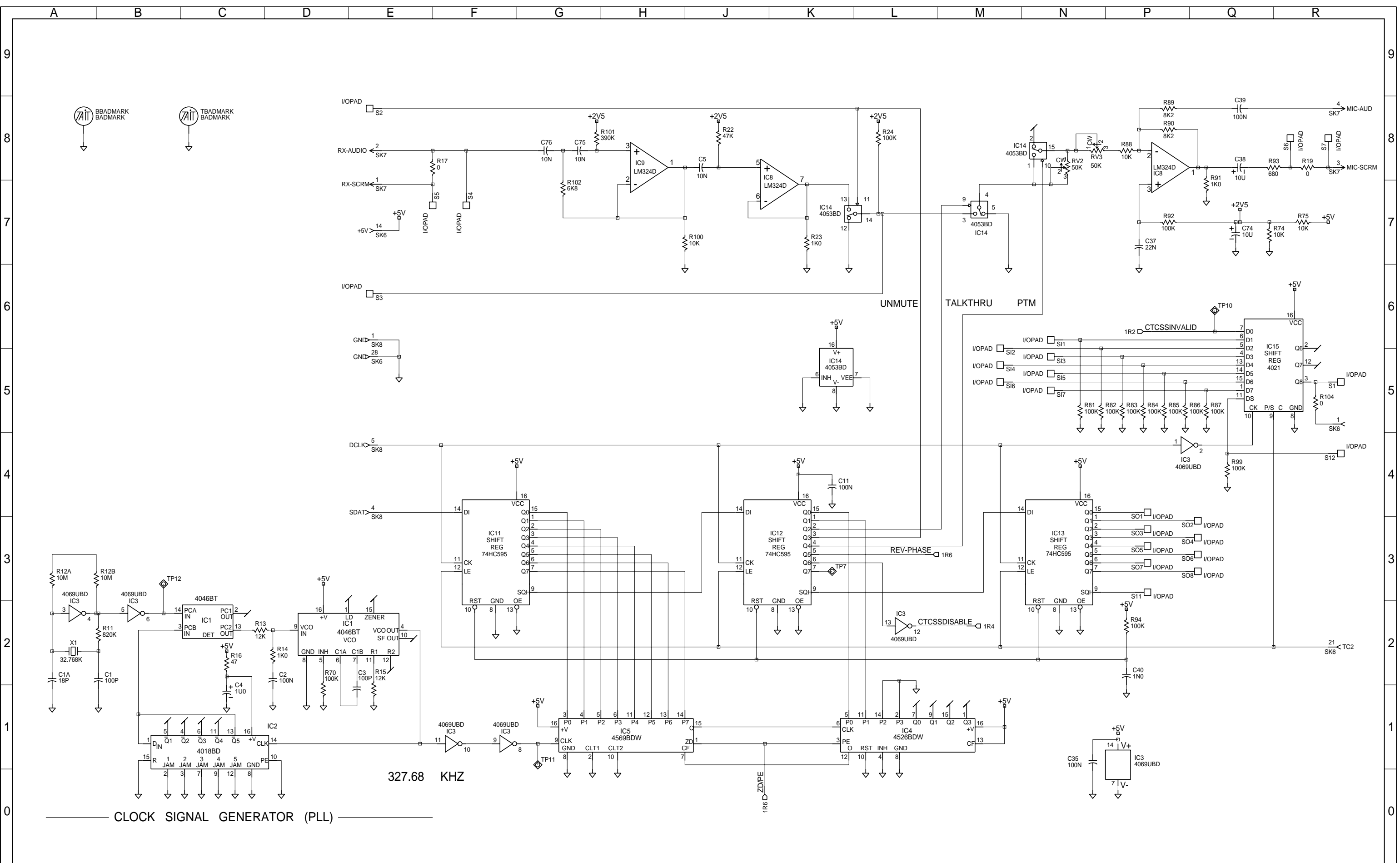
QTY: 1.0	IPN: 399-00010-88	BAG STATIC SHIELDING 152*254MM	(MECH PART)
QTY: 1.0	IPN: 365-01482-00	LABEL BLANK 20X67MM BRIGHT ORANGE	(MECH PART)
QTY: 0.10	IPN: 201-00030-01	WIRE #1 T/C WIRE 7/0.2MM PVC BROWN	(MECH PART)
QTY: 0.04	IPN: 201-00030-07	WIRE #1 T/C WIRE 7/0.2MM PVC VIOLET	(MECH PART)
QTY: 1.0	IPN: 399-00010-52	BAG PLASTIC 100*150MM	(MECH PART)
QTY: 1.0	IPN: 418-00962-00	FITTING INSTRUCTIONS TA096-02	(PURE MECH PART)
QTY: 1.0	IPN: 418-00963-00	FITTING INSTRUCTIONS TA096-03	(PURE MECH PART)
QTY: 1.0	IPN: 409-00350-14	FLOPPY DISC 3.50IN HI-DENSITY 1.44M	(MECH PART)
QTY: 1.0	IPN: 365-01364-01	LABEL FLOPPY DISC (PURE MECH PART)	
QTY: 1.0	IPN: 399-00010-85	BAG STATIC SHIELDING 76*127MM	(MECH PART)
QTY: 1.0	IPN: 410-01072-00	CARTON ACCESSORY A2A678 204*136*60MM	(MECH PART)
QTY: 2.0	IPN: 316-80032-00	PACKAGE FOAM A4M2495	(MECH PART)

- 88 SK6 2X14 WAY TOP ENTRY SKT (GOLD)
- 88 SK7 2X6 WAY TOP ENTRY SKT
- 88 SK8 5 WAY TOP ENTRY SKT



5B	MECH PARTS ADDED/DELETED	M.HALL	M.HALL	M.HALL		
5A	REPANIELLED PCB	M.HALL	M.HALL	M.HALL	S.CRAGG	22/10/97
4B	MECHANICAL PARTS ADDED	DOUGLAS	M.HALL	M.HALL	S.CRAGG	13/10/97
4A	CORRECTED MECHANICAL PARTS.	M.HALL	M.HALL	M.HALL	S.CRAGG	21/04/97
3A	C-NOTES 94/02-061 & 94/02-095.	M.HALL	M.HALL	M.HALL	S.CRAGG	05/10/95
2A	NEW PCB OUTLINE	M.HALL	M.HALL	D.ELDER	S.CRAGG	24/05/95
1C	CHANGED VALUE OF RV2 & RV3	M.HALL	M.HALL	D.ELDER	S.CRAGG	21/05/95
REV/ISS	AMENDMENTS	DRAWN	CHKD	D.O.	APVD	DATE

© TAIT ELECTRONICS
 TA096-01
 7700 TALK-THROUGH/CTCSS BOARD
 IPN: 227-09601-05 ISSUE: B ID: 2.S.C. 1
 PROJECT: TA096-01 DESIGNER: M.HALL FILE NAME: A009615B DATE: 17/03/98 NO.SHEETS: 2

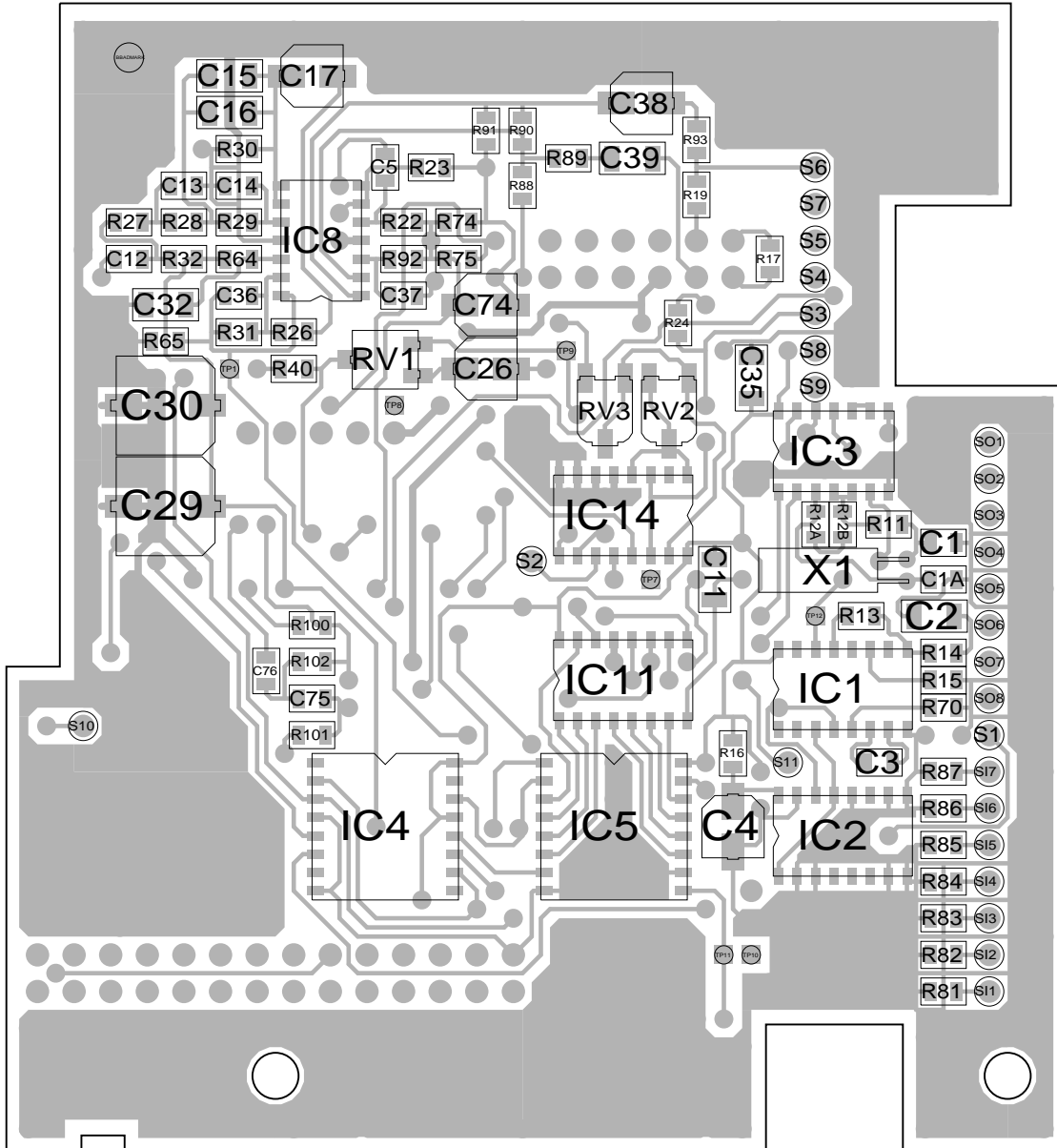


5B	CORRECTED MECH PART LIST.	M.HALL	M.HALL	M.HALL		
5A	REPAANELLED PCB	M.HALL	M.HALL	M.HALL	S.CRAGG	22/10/97
4B	MECHANICAL PARTS ADDED	DOUGLAS	M.HALL	M.HALL	S.CRAGG	13/10/97
4A	CORRECTED MECHANICAL PARTS.	M.HALL	M.HALL	M.HALL	S.CRAGG	21/04/97
3A	C-NOTES 94/02-061 & 94/02-095.	M.HALL	M.HALL	M.HALL	S.CRAGG	05/10/95
2A	NEW PCB OUTLINE	M.HALL	M.HALL	D.ELDER	S.CRAGG	24/05/95
1C	CHANGED VALUE OF RV2 & RV3	M.HALL	M.HALL	D.ELDER	S.CRAGG	21/05/95
REV/ISS	AMENDMENTS	DRAWN	CHKD	D.O.	APVD	DATE

© TAIT ELECTRONICS
 TA096-01
 T700 TALK-THROUGH/CTCSS BOARD

IPN: 227-09601-05 ISSUE: B ID: 2.S.C. 2

PROJECT: TA096-01 DESIGNER: M.HALL FILE NAME: A009615B FILE DATE: 17/03/98 NO.SHEETS: 2



TAIT ELECTRONICS	IPN:	ISS:	ID:	DATE:
	227-09601-05	A	2.BA	22 Oct 1997
TA096-01 PCB LAYOUT - BOTTOM SIDE				

Scale:2:1 ; Rotation: 0 degrees